



012



SUSPENDED ACCESS EQUIPMENTS

TELESCOPIC ROOF MACHINE



TWIN TRACK ROOF MACHINE (LONG REACH)

TWIN TRACK ROOF MACHINE (SHORT REACH)



ON CONCRETE SURFACE (PARAPET GUIDED)



ON CONCRETE SURFACE (GUIDE TRACKS)



POWERED CRADLE



RECESS CRADLE



MONORAILS



PARAPET TRACK ROOF MACHINE



PARAPET TRAVERSING DAVIT



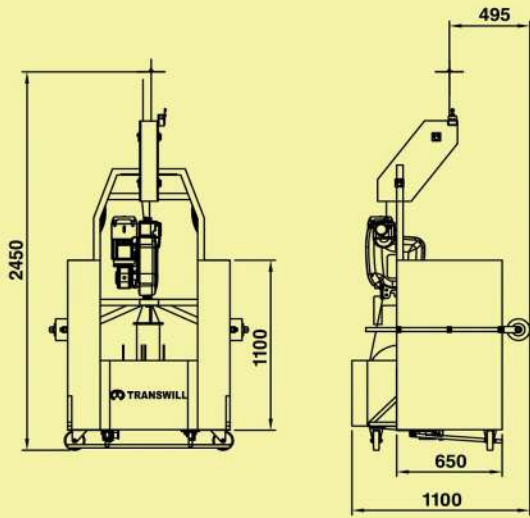
PARKING DAVIT



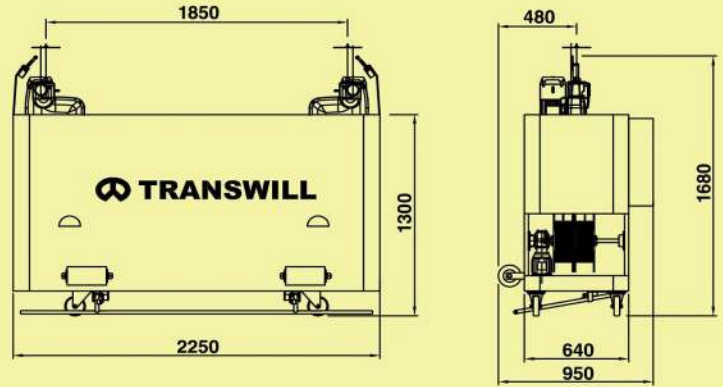
PARAPET MOUNTED DAVIT



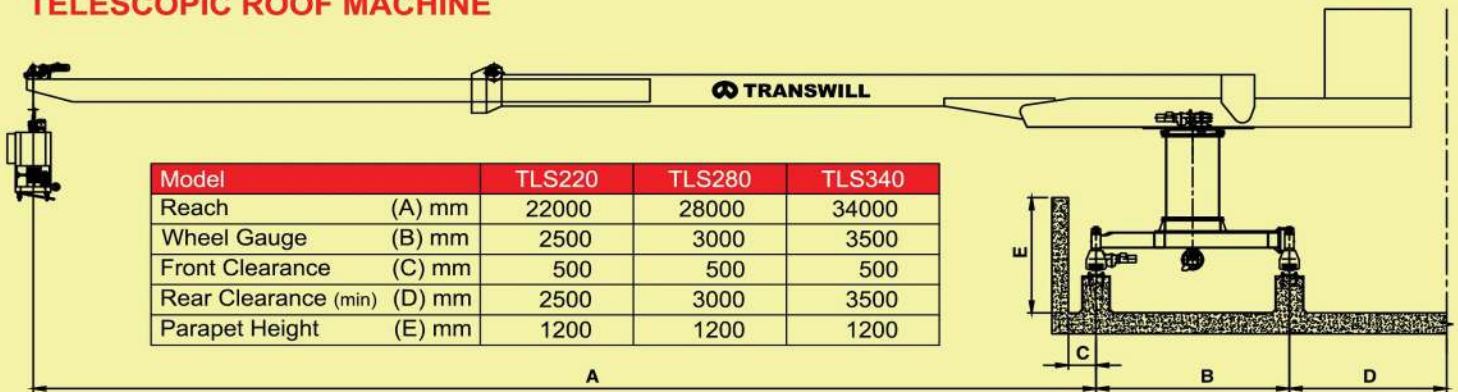
BMU CRADLE (ONE PERSON CAPACITY)



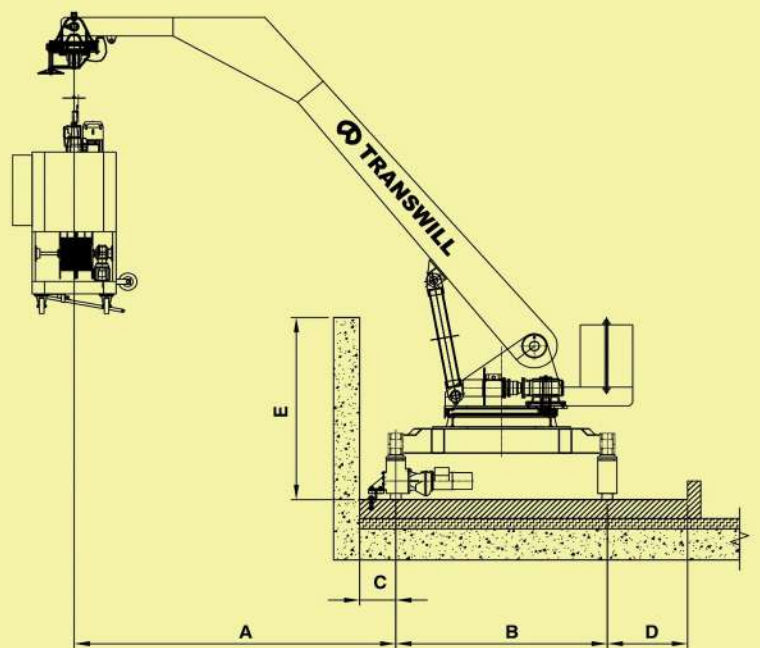
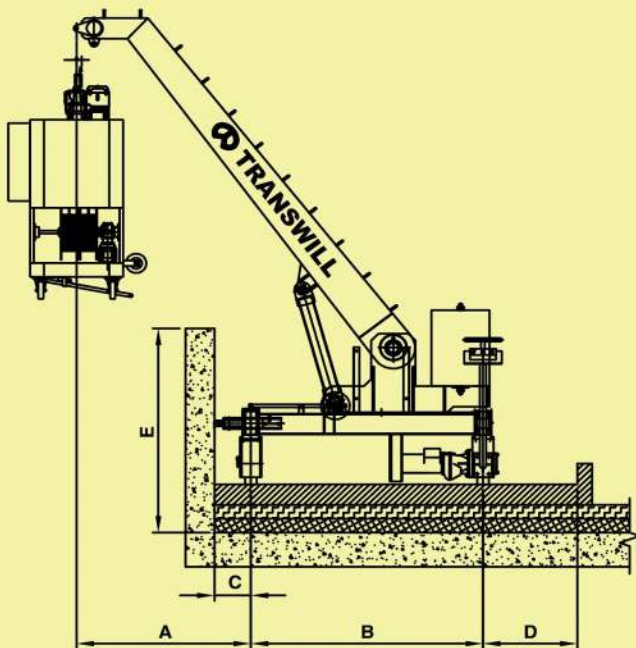
BMU CRADLE (TWO PERSONS CAPACITY)



TELESCOPIC ROOF MACHINE



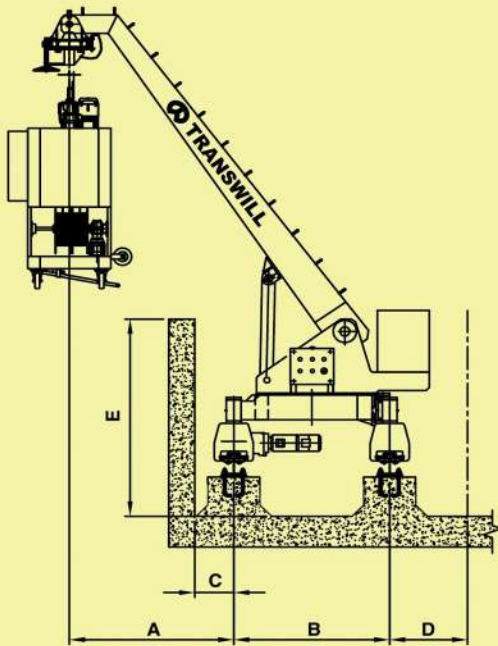
ON CONCRETE SURFACE (PARAPET GUIDED) ON CONCRETE SURFACE (GUIDE TRACK)



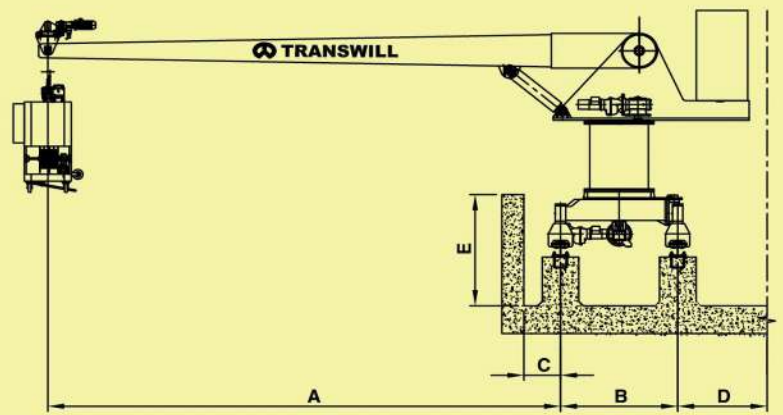
Model		PG 10	PG 20
Reach	(A) mm	1000	2000
Wheel Gauge	(B) mm	1400	1600
Front Clearance	(C) mm	250	250
Rear Clearance (min)	(D) mm	750	750
Parapet Height	(E) mm	1200	1200

Model		GA 12	GA 35	GA 45
Reach	(A) mm	1200	3500	4500
Wheel Gauge	(B) mm	1400	1600	1800
Front Clearance	(C) mm	275	275	275
Rear Clearance (min)	(D) mm	750	750	750
Parapet Height	(E) mm	1200	1200	1200

ON TWIN TRACK (SHORT OUTREACH)



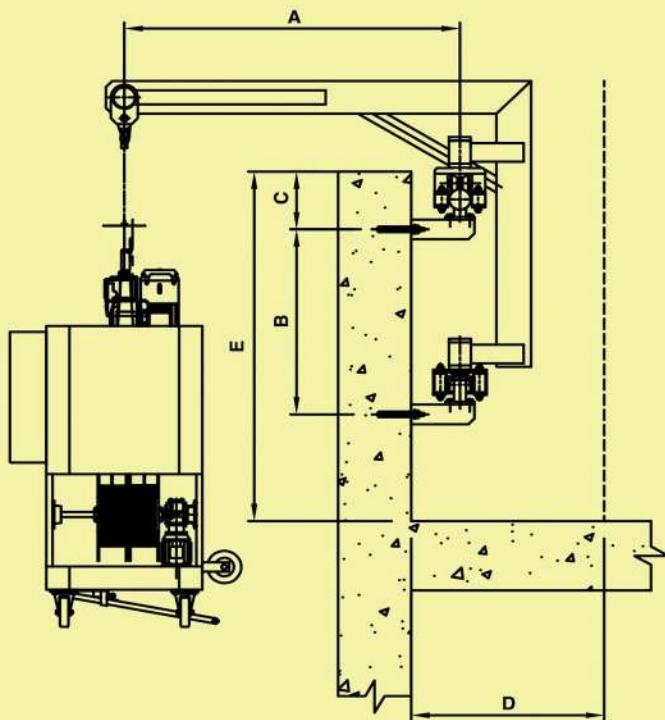
ON TWIN TRACK (LONG OUTREACH)



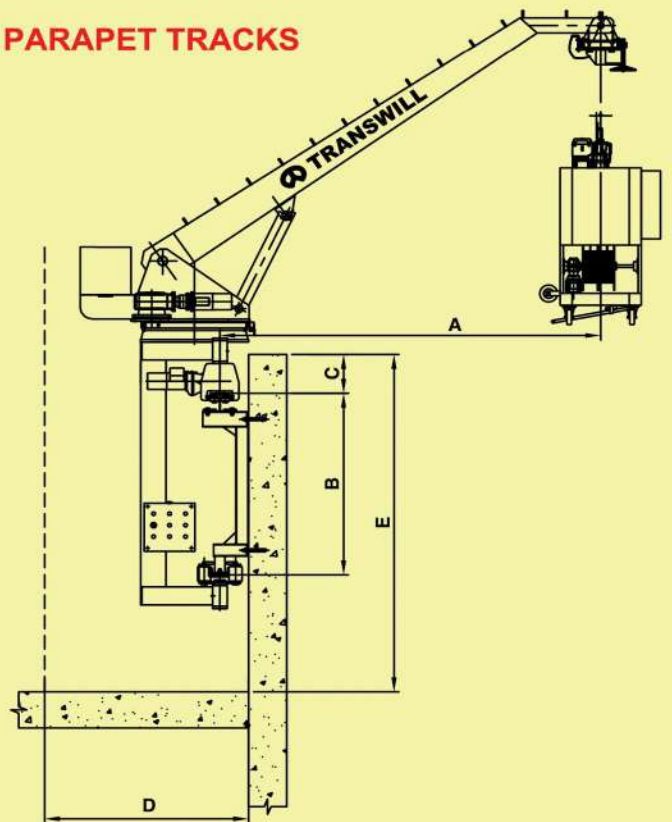
Model		TTL60	TTL90	TTL150	TTL180
Reach (A) mm		6000	9000	15000	18000
Wheel Gauge (B) mm		1400	1600	2100	2500
Front Clearance (C) mm		500	500	500	500
Rear Clearance (min) (D) mm		1000	1200	1500	2000
Parapet Height (E) mm		1200	1200	1200	1200

Model		TTS20	TTS30	TTS50
Reach (A) mm		2000	3000	5000
Wheel Gauge (B) mm		900	1200	1400
Front Clearance (C) mm		400	400	400
Rear Clearance (min) (D) mm		750	750	750
Parapet Height (E) mm		1200	1200	1200

TRAVERSING DAVIT



ON PARAPET TRACKS



Model		TD 10	TD 15
Reach (A) mm		1000	1500
Wheel Gauge (B) mm		800	1000
Top Clearance (C) mm		250	250
Rear Clearance (D) mm		1000	1000
Parapet Height (E) mm		1400	1400

Model		PT 20	PT 30
Reach (A) mm		2000	3000
Wheel Gauge (B) mm		1200	1500
Top Clearance (C) mm		300	300
Rear Clearance (D) mm		1500	1500
Parapet Height (E) mm		2500	2800

TRANSWILL



TRANSWILL ENGINEERING L.L.C.

P.O. Box 231725, Dubai

United Arab Emirates

Tel: +971 4 34 23 880

Fax: +971 4 34 23 881

E-mail: transwil@eim.ae

info@transwill.com

Web: www.transwill.com

The dimensions and data provided is for information only. Transwill reserves the right to alter these information to improve them for technical and commercial reasons without prior notice. The user must ensure that the product meets his specific requirements and complies with local rules and regulations. The technical specification for the specific application is available on providing complete project drawings and details